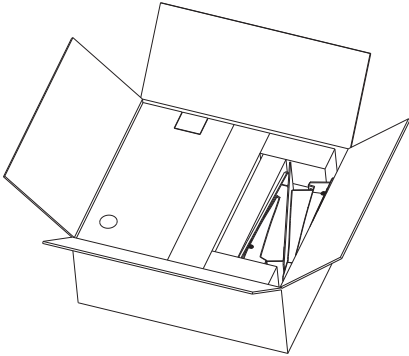


Setup Guide

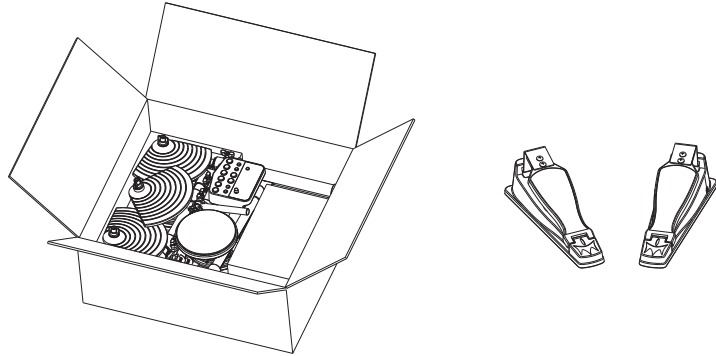
WARNING:

- Drum key can be pinched when adjusting clamps with drum key. Operate carefully.

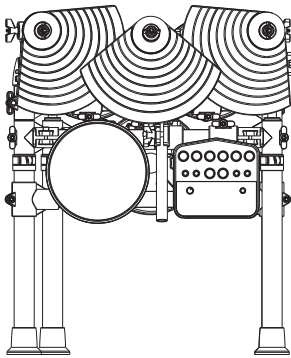
1. Open packing box



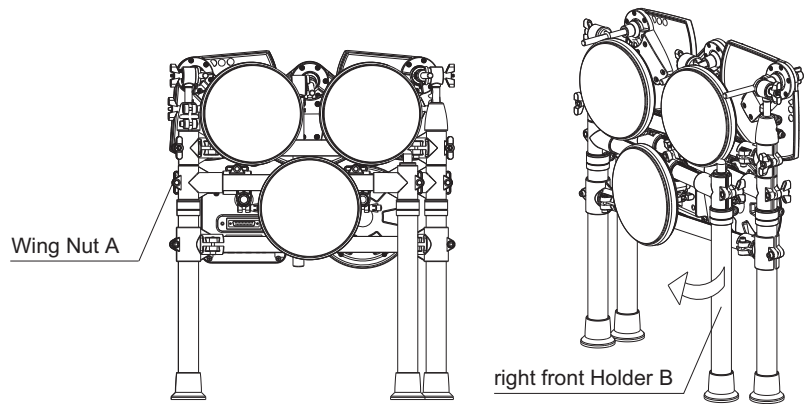
2. Remove the Foam Blocks and Pedals



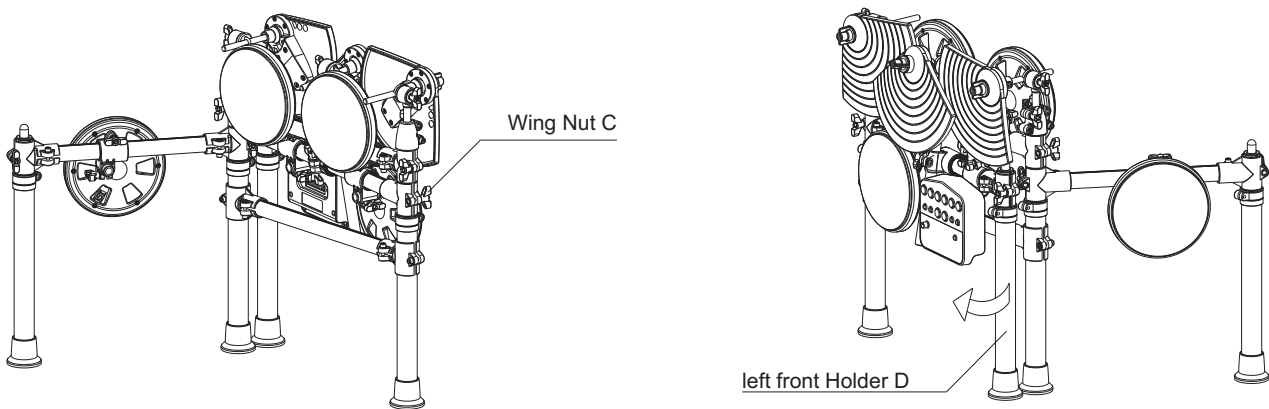
3. Take out the Drum set



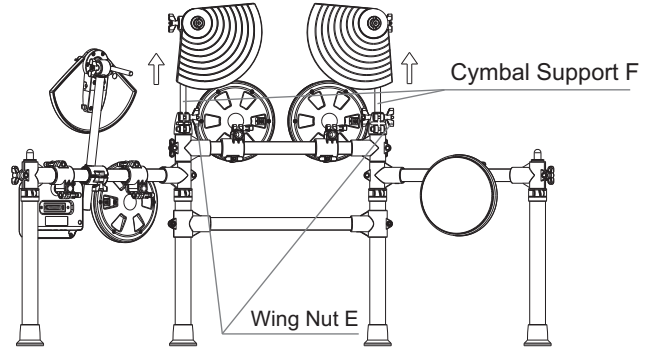
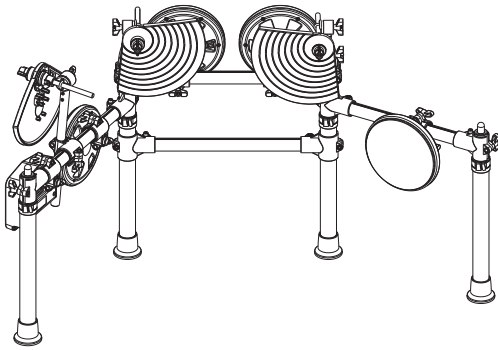
4. Loosen Wing Nut A and Open the right front Holder B and then tighten Wing Nut A



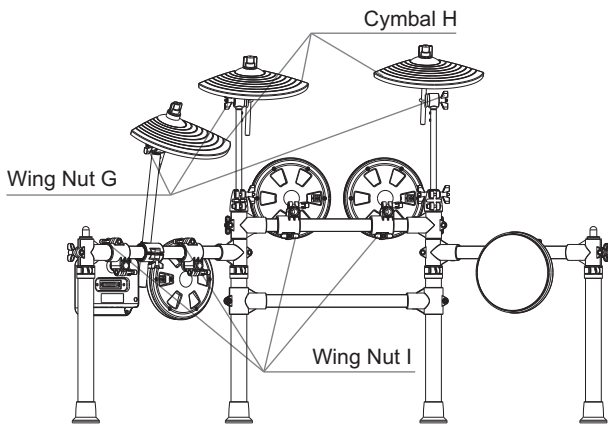
5. Loosen Wing Nut C and open the left front Holder D, and then tighten Wing Nut C



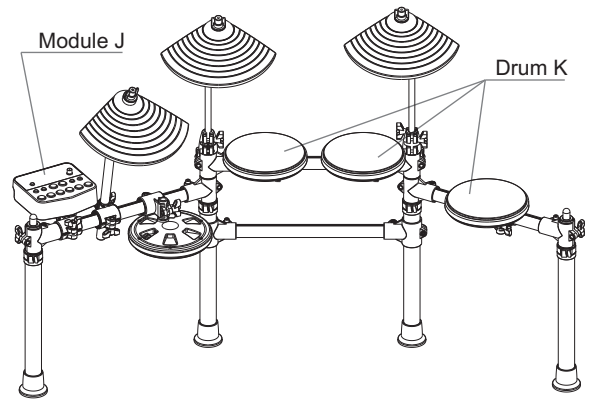
6. Loosen Wing Nut E and pull up Cymbal Support F, and then tighten Wing Nut E



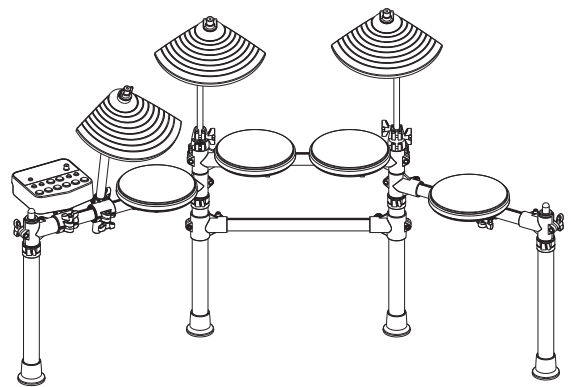
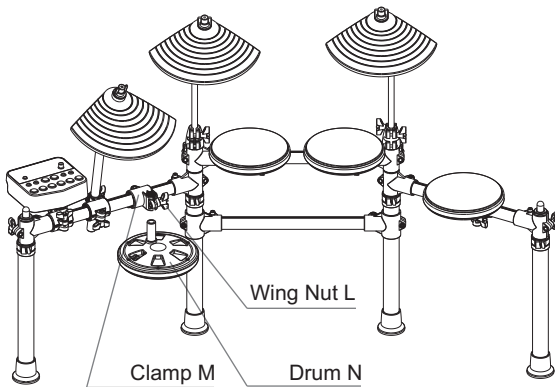
7. Loosen Wing Nut G, adjust the Cymbal H as shown in the illustration, then tighten Wing Nut G.



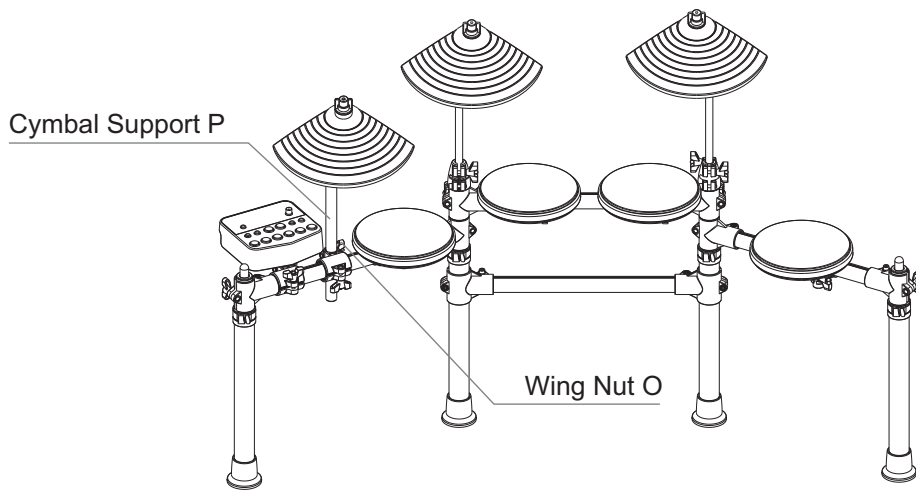
8. Loosen Wing Nut I, adjust Drum K and Module J as shown in the illustration, then tighten Wing Nut I.



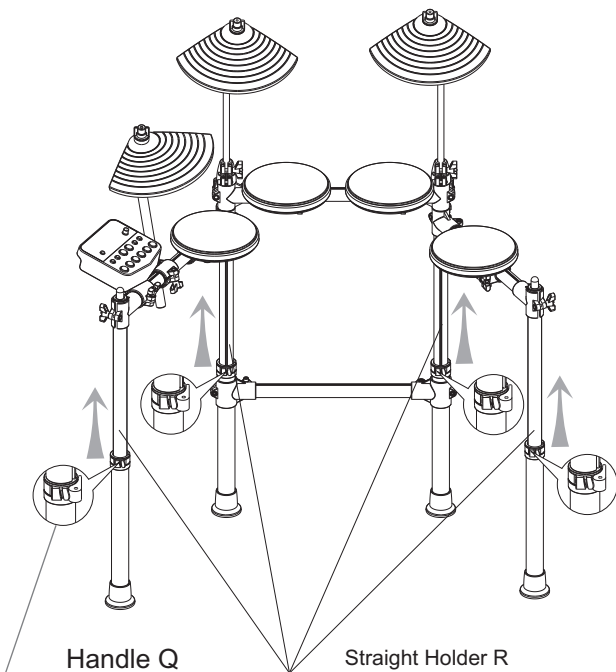
9. Loosen Wing Nut L, remove the Drum N to turn it 180° and insert it to Clamp M, then tighten Wing Nut L.



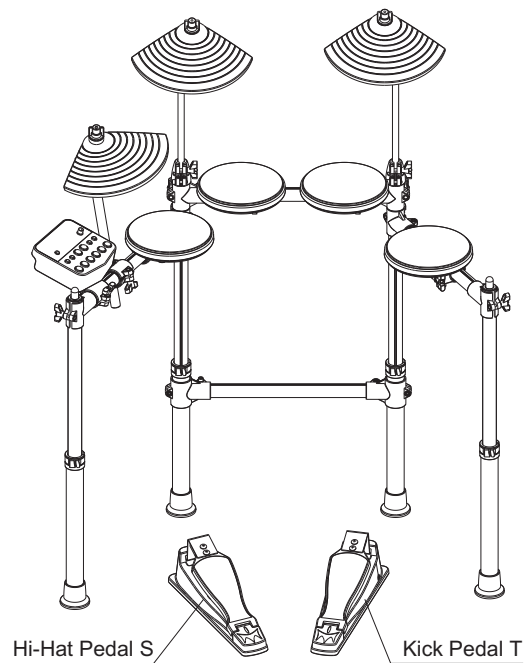
10. Loosen Wing Nut O, adjust Cymbal Support P as shown in the illustration, then tighten Wing Nut O.



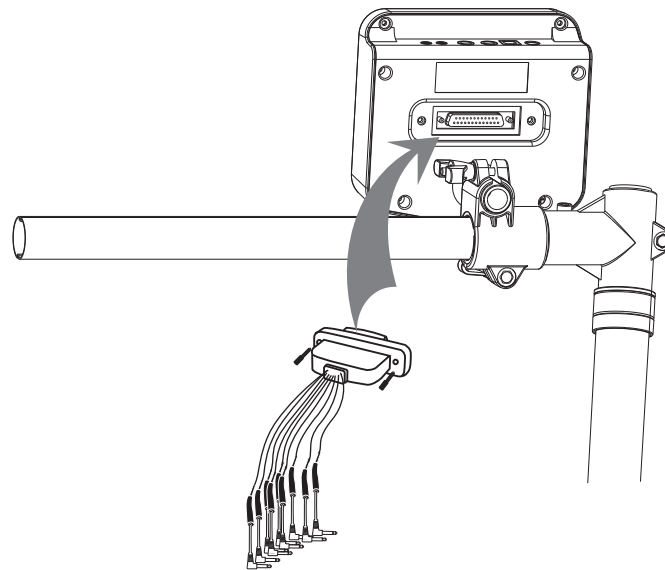
11. Loosen Handle Q, pull up the Straight Holder R as shown in the illustration, then tighten Handle Q.



12. Place the Hi-Hat Pedal S and Kick Pedal T in the center of Rack.



13. Connect the Cable to Drum Module as shown with Handscrews.



14. Make connections as shown in the illustration.

